

# Antenna Options Guide

## (for Tierra AM-25 & AM-50-2)

Effective: June 7, 2010

**Extra Slim Quad Band Adhesive Mount Low Profile Antenna**

P/N: 8010-1002

The extra slim quad band adhesive mount low profile antenna operates on American and European cellular phone frequencies (AMPS, GSM 850/900/1800/1900, UMTS & WLAN/Bluetooth). The latest technology provides excellent performance on all bands and has been tuned for the environment leading to optimized performance for each frequency.

This super low profile antenna, can be mounted almost anywhere in the interior or on the exterior of a vehicle/machine; atop the roof, on the dashboard or in a window.

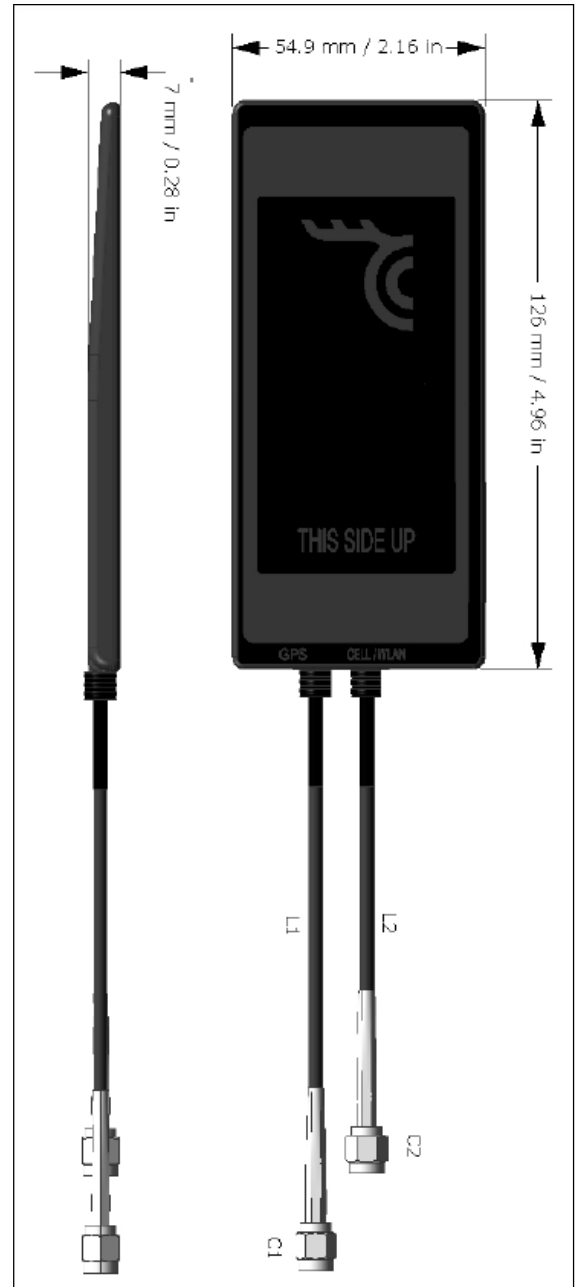
GPS performance is 26 ±2 dB, with 1 dBi<sup>1</sup> antenna gain. The antenna has a low noise figure (≤1.4 dB typical) with excellent filter characteristics. Power for the GPS amplifier is 2.7 to 5.5 VDC (dual voltage capable).

The case on the antenna is waterproof to IP 66 specs, measures 4.96" x 2.16" x 0.28" thick (126mm x 54.9mm x 7mm), weighs 1.76 oz. (50g) and uses double sided mounting tape (provided), for securing to a surface such as glass or metal. It is outfitted with 10 ft. (3 meters) of dual bonded RG-174 cable. Standard connector configuration is TNC (M)/SMA (M).

**Cellular/WLAN Frequency Range:**

AMPS/GSM 850:	824—894 MHz
GSM 900:	880—960 MHz
GSM 1800:	1710—1880 MHz
GSM 1900:	1850—1990 MHz
UMTS:	1920—2170 MHz
WLAN/Bluetooth:	2400—2484 MHz

Cellular/WLAN performance is 3 dBi for AMPS/CDMA800/GSM1900 and 4 dBi for GSM1800/PCS/CDMA1800/UTMS/WLAN.



**Extra Slim Quad Band GPS/GPRS  
Adhesive Mount Low Profile Antenna**

**Footnote**

<sup>1</sup>dBi: referenced to an isotropic radiator, circular polarization

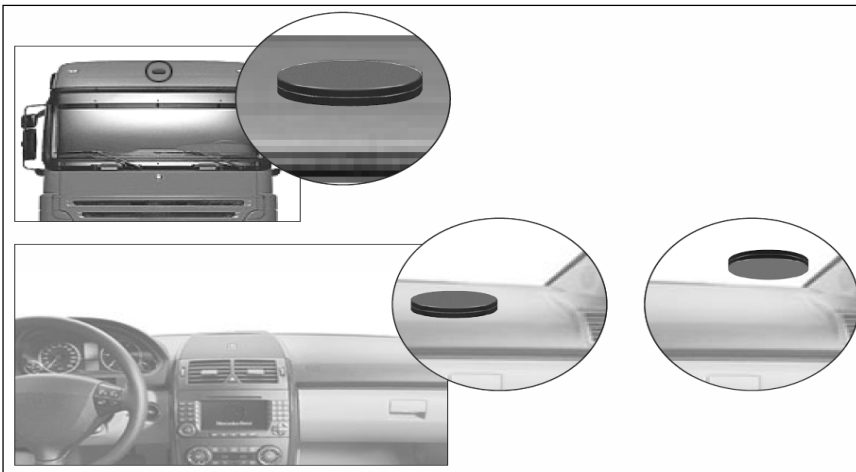
### Magnetic/Adhesive Mount GPS/Multi-band Low Profile Antenna

P/N: 8010-1000

The GPS/Multi-band magnetic or adhesive mount low profile antenna operates on American and European cellular phone (AMPS, GSM 850/900/1800/1900, UMTS) frequencies. The latest technology provides excellent performance on all bands.

This super low profile antenna, can be mounted almost anywhere on various surfaces of a vehicle/equipment such as metal or plastic. (For adhesive mounting, double-sided mounting tape is provided.)

GPS performance is  $27 \pm 3$  dB, with 2 dBi antenna gain. The antenna has a low noise figure ( $\leq 2.5$  dB typical) with excellent filter characteristics. Power for the GPS amplifier is 3.0 to 5.5 VDC (dual voltage capable).



Magnetic /Adhesive Mount  
GPS/Multi-band  
Low Profile Antenna

The case on the antenna is waterproof to IP 66 specs and operates in the temperature range of  $-40$  to  $+176$  °F. ( $-40$  to  $+80$  °C.). It measures 3.9" x 2.6" and is only 0.8" thick (100 mm x 66 mm x 21 mm) and weighs 8.5 oz. (240 g).

#### Cellular Frequency Range:

AMPS: 824—894 MHz  
GSM 900: 880—960 MHz  
GSM 1800: 1710—1880 MHz  
GSM 1900: 1850—1990 MHz  
UMTS: 1920—2170 MHz

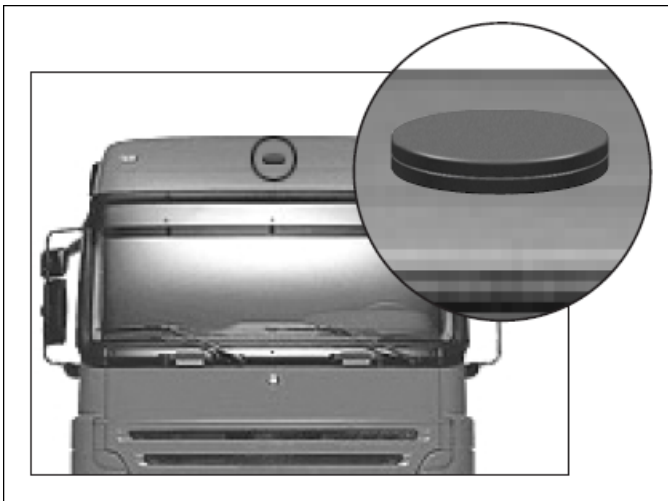
This antenna has been tuned for the environment leading to optimized performance for each frequency and is outfitted with 10 ft. (3 meters) of dual bonded RG-174 cable. Standard connector configuration is TNC (M)/SMA (M).

### Bolt-on Mount GPS/Multi-band Low Profile Antenna

P/N: 8010-1001

The Bolt-on Mount low profile GPS/Multi-band antenna operates on American and European cellular phone (AMPS, GSM 900/1800/1900 & UMTS) frequencies. The latest technology provides excellent performance on all bands.

This super low profile antenna, can be mounted almost anywhere on various surfaces of a vehicle/equipment such as metal or plastic.



Bolt-on Mount GPS/Multi-band  
Low Profile Antenna

GPS performance is  $27 \pm 3$  dB, with 2 dBi antenna gain. The antenna has a low noise figure ( $\leq 2.5$  dB typical) with excellent filter characteristics. Power for the GPS amplifier is 3.0 to 5.5 VDC (dual voltage capable).

The case on the antenna is waterproof to IP 66 specs and operates in the temperature range of  $-40$  to  $+176$  °F. ( $-40$  to  $+80$  °C.). It measures 3.9" x 2.6" and is only 0.8" thick (100 mm x 66 mm x 21 mm) and weighs 8.5 oz. (240 g).

#### Cellular Frequency Range:

AMPS: 824—894 MHz  
GSM 900: 880—960 MHz  
GSM 1800: 1710—1880 MHz  
GSM 1900: 1850—1990 MHz  
UMTS: 1920—2170 MHz

The Bolt-on Mount antenna has been tuned for the environment leading to optimized performance for each frequency and is outfitted with 10 ft. (3 meters) of dual bonded RG-174 cable. Standard connector configuration is TNC (M)/SMA (M).